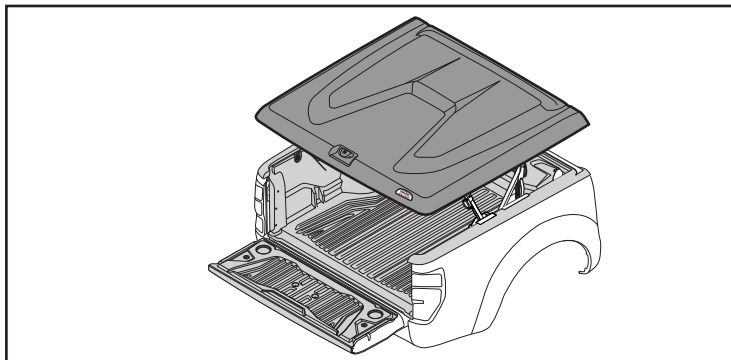




TONNEAU COVER INSTALLATION INSTRUCTIONS



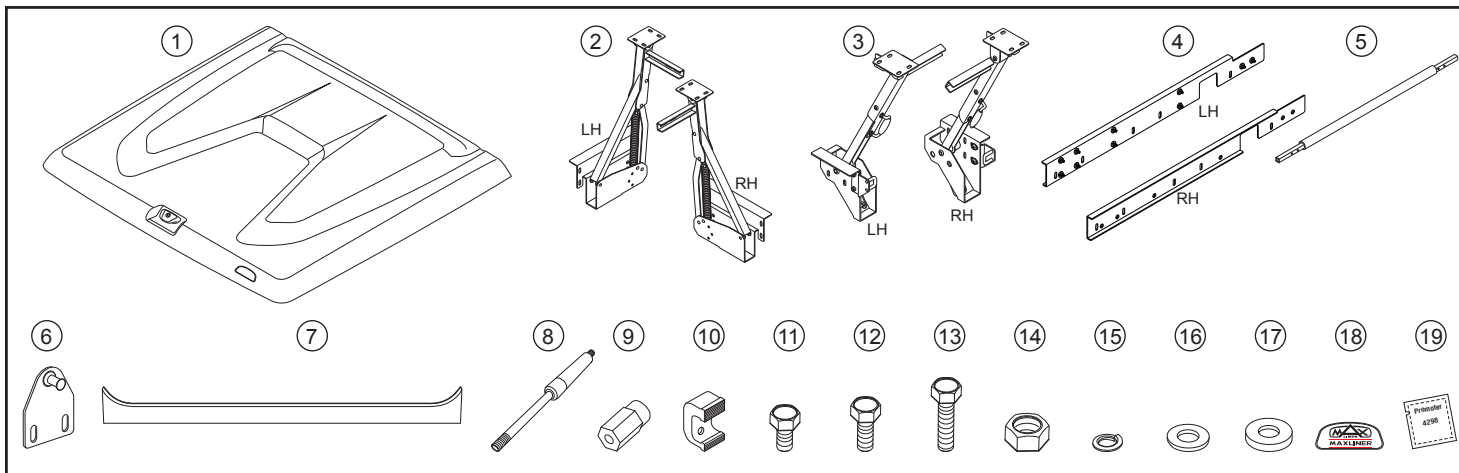
Caution for installation

Read this mounting manual carefully, before your start the installation.

1. Area where to install product should be clean.
2. During installation, person who installed should take off any ornaments.

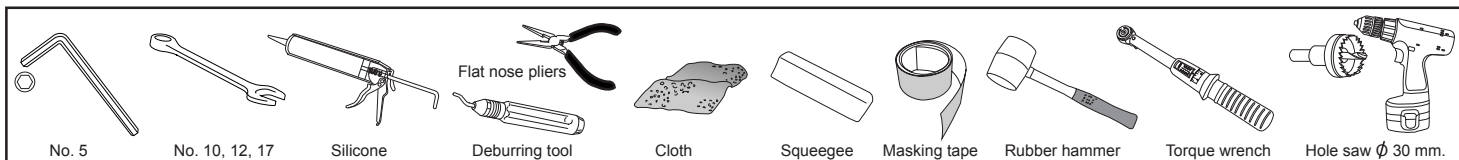
Product name : MAXCOVER 180°
 Model name : FORD RANGER DBC 2012
 Inst. number : L05-0039

Component parts

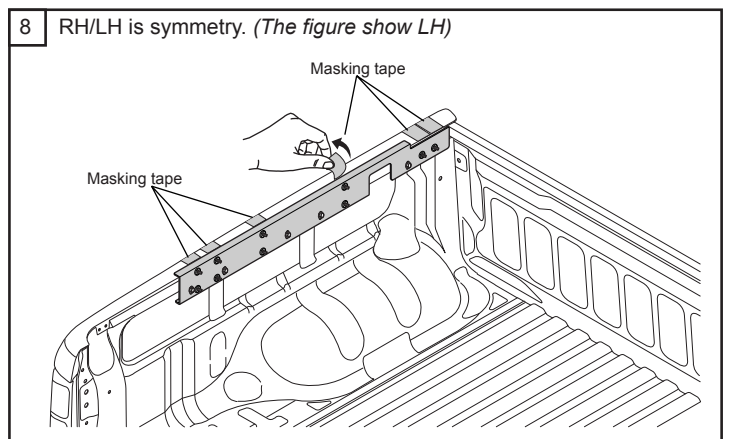
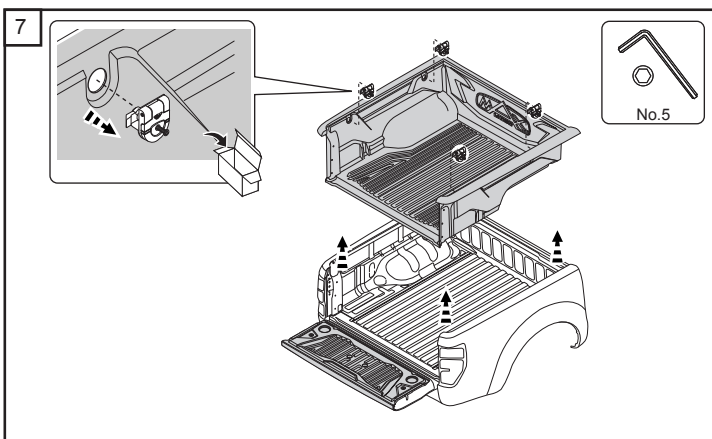
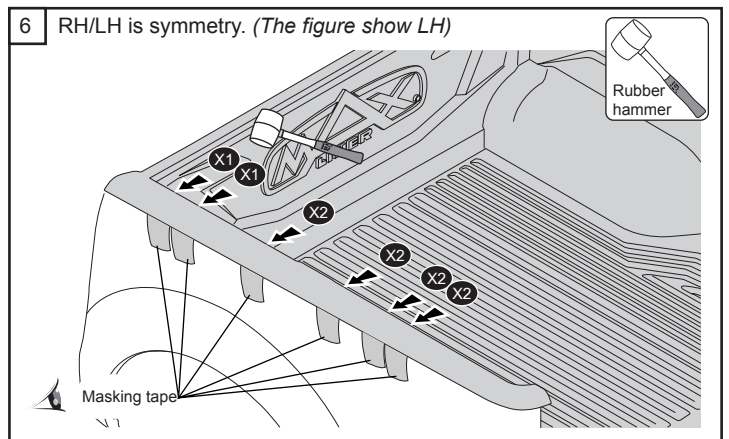
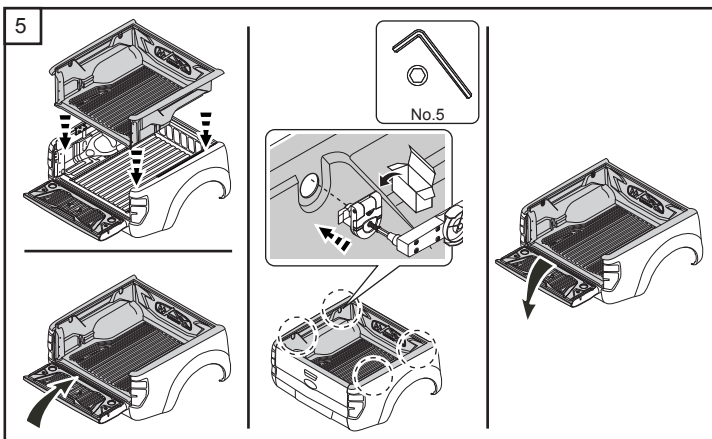
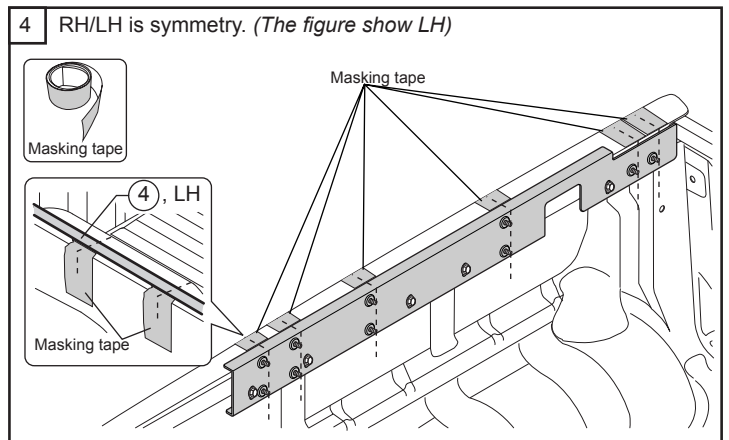
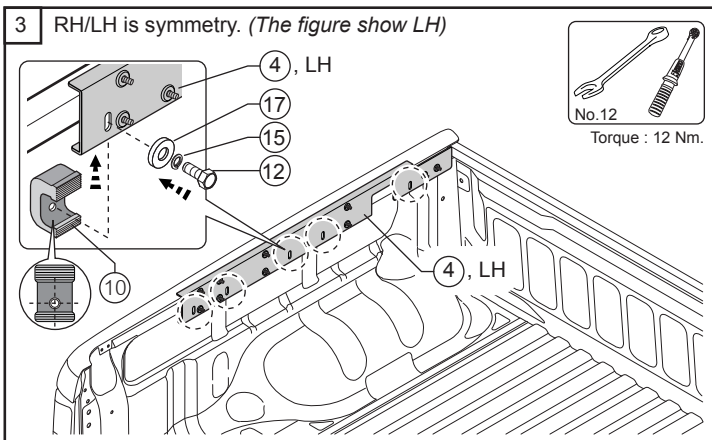
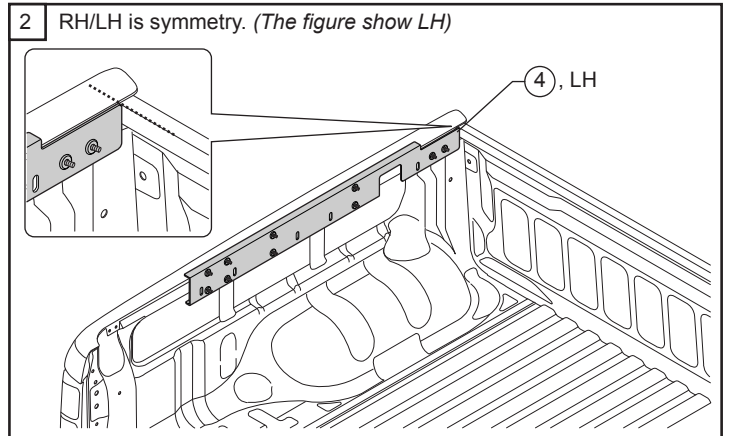
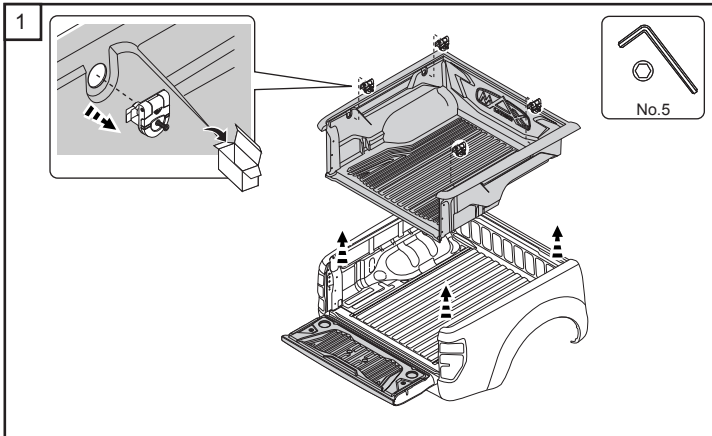


No.	Part Name	Q'ty
1.	Body maxcover	1 Set
2.	Front bracket set	1 Set
3.	Rear bracket set	1 Set
4.	Plate support bracket LH/RH	2 Pcs.
5.	Inside bar	2 Pcs.
6.	Plate front lock	2 Pcs.
7.	Front water defense ABS	1 Pc.
8.	Shock absorber	2 Pcs.
9.	Polygon nut M8x35	20 Pcs.
10.	Clamp lock	10 Pcs.
11.	Hex bolt M8x15	20 Pcs.
12.	Hex bolt M8x30	10 Pcs.
13.	Hex bolt M8x40	8 Pcs.
14.	Hex nut M8	28 Pcs.
15.	Spring washer M8	66 Pcs.
16.	Plain washer M8 O.D=18 mm., t=1.2 mm.	56 Pcs.
17.	Plain washer M8 O.D=25 mm., t=2.8 mm.	10 Pcs.
18.	Emblem	1 Pc.
19.	Primer 4298	2 Pcs.

Tools used

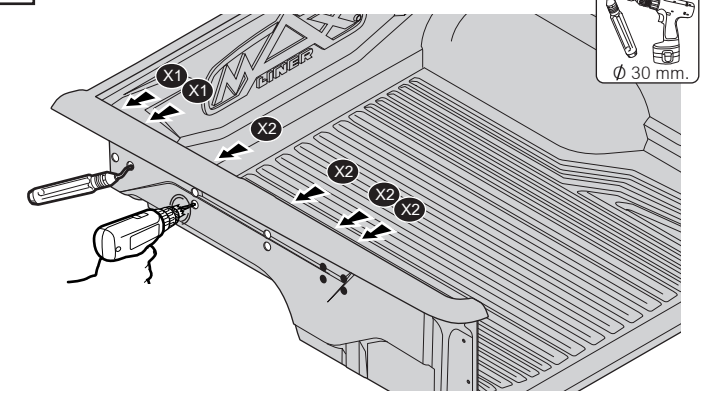


Instruction procedure (with Bedliner O/R)

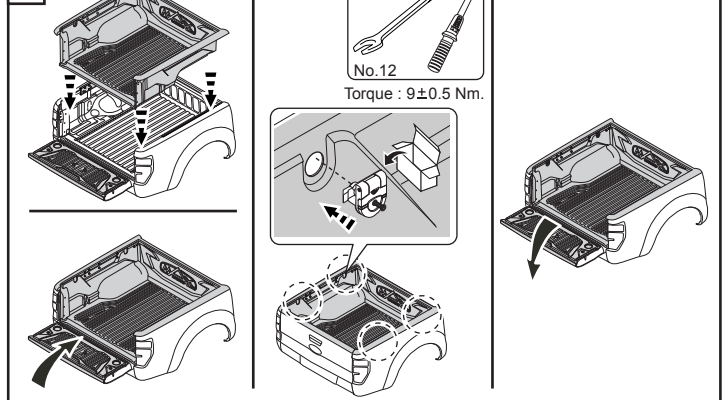


Instruction procedure (with Bedliner O/R)

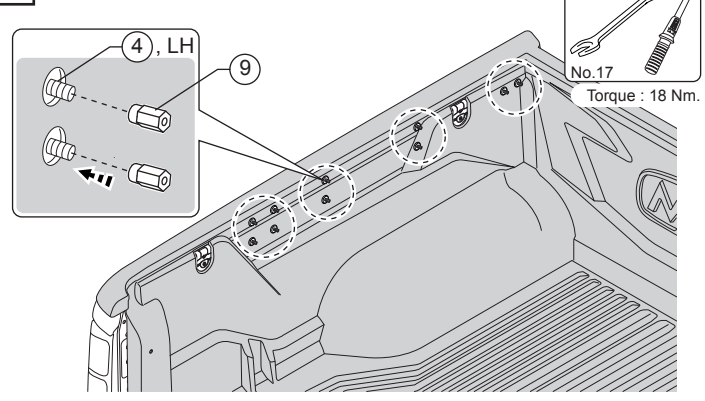
9 RH/LH is symmetry. (The figure show LH)



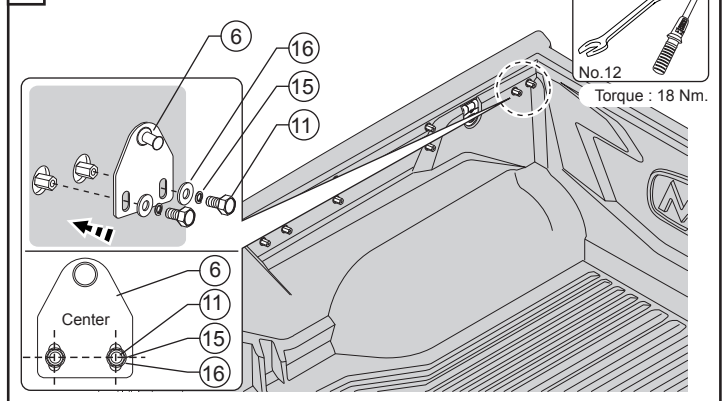
10



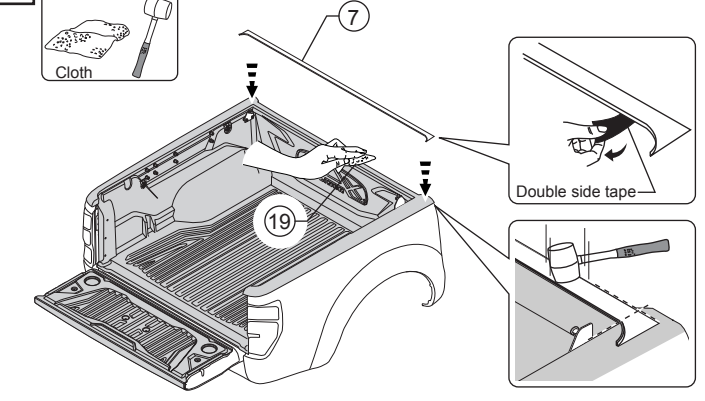
11 RH/LH is symmetry. (The figure show LH)



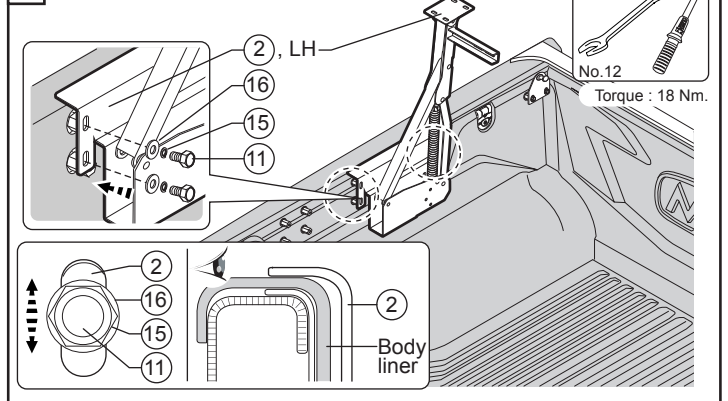
12 RH/LH is symmetry. (The figure show LH)



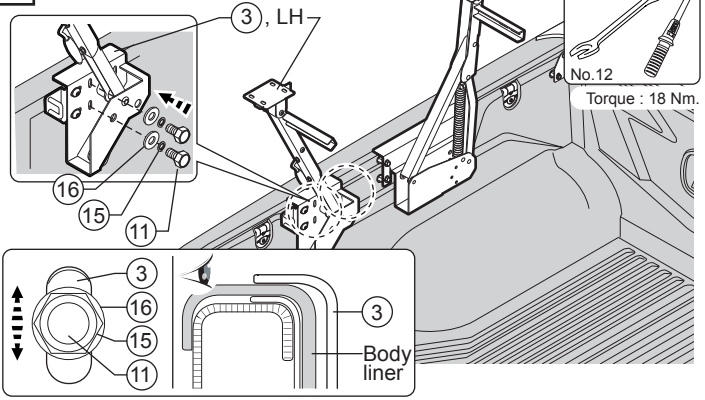
13 Rubber hammer



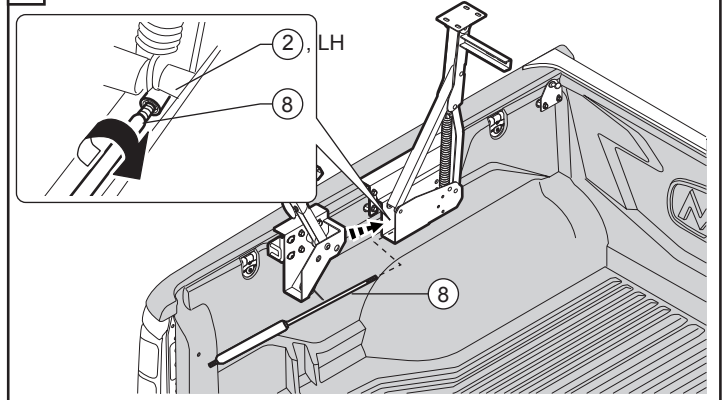
14 RH/LH is symmetry. (The figure show LH)



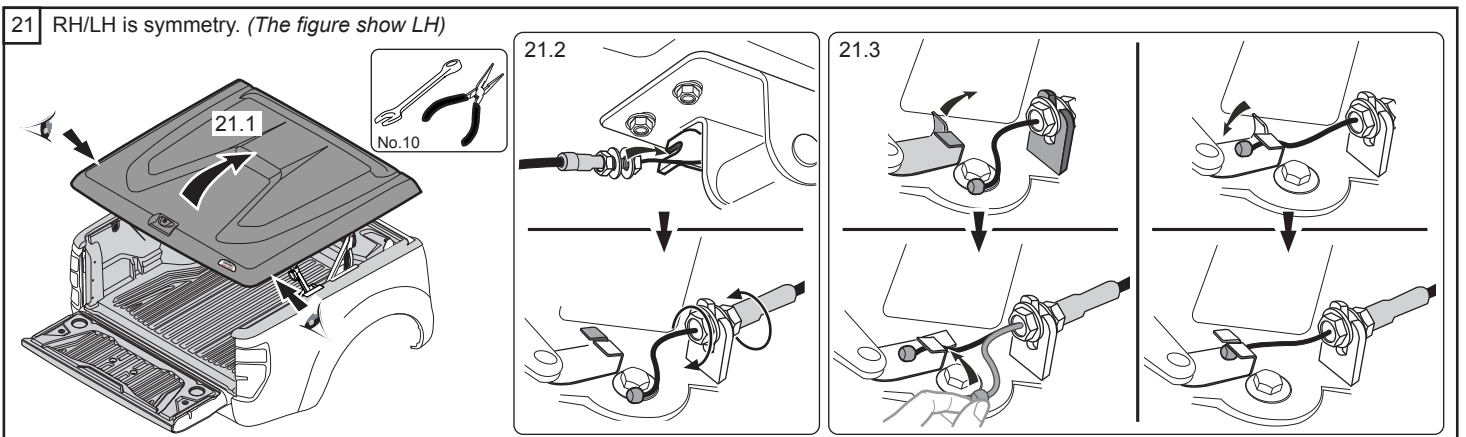
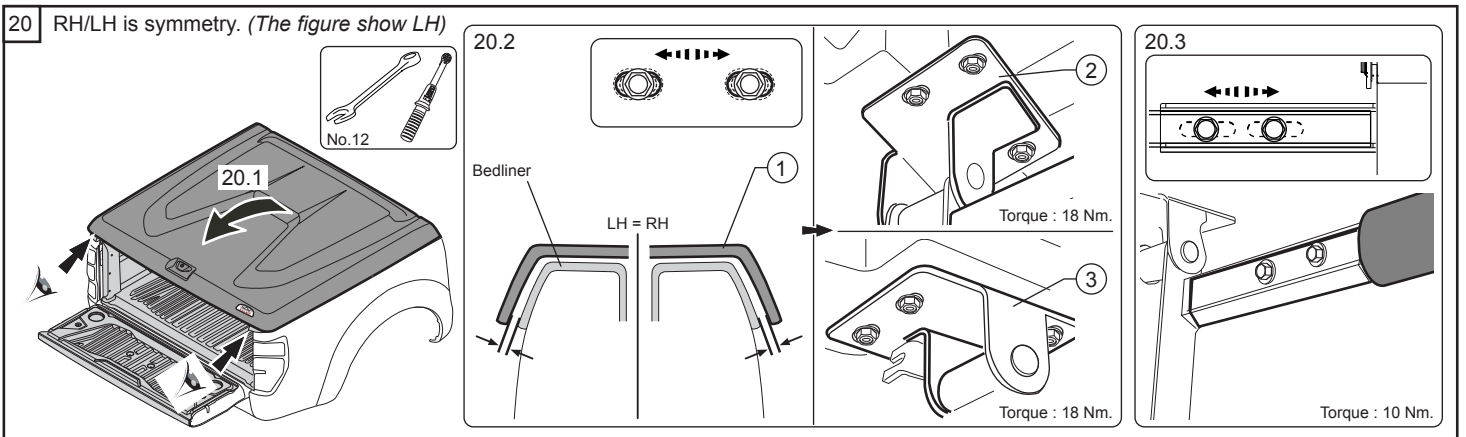
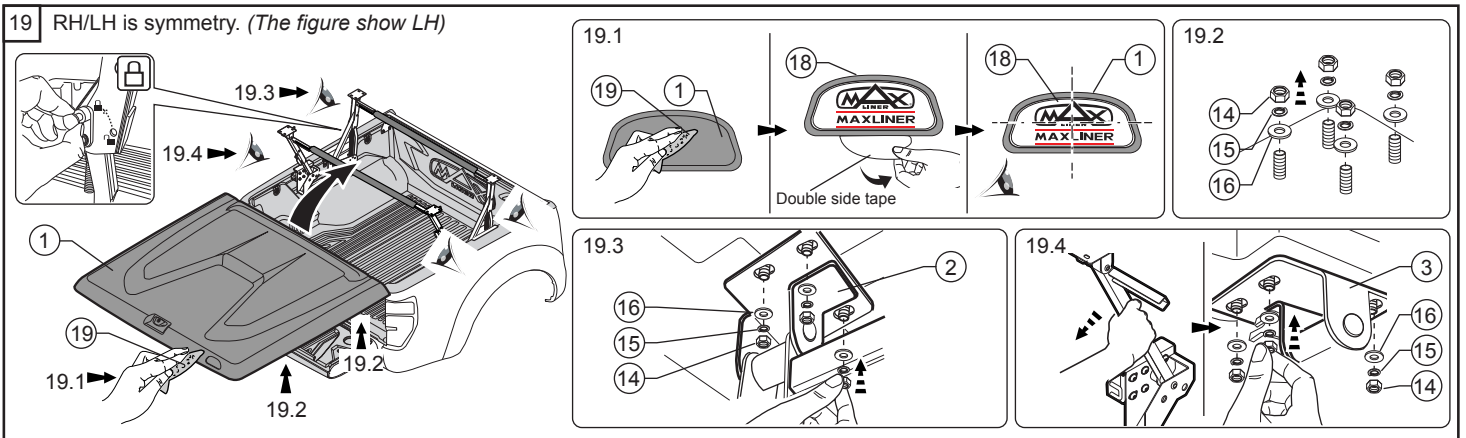
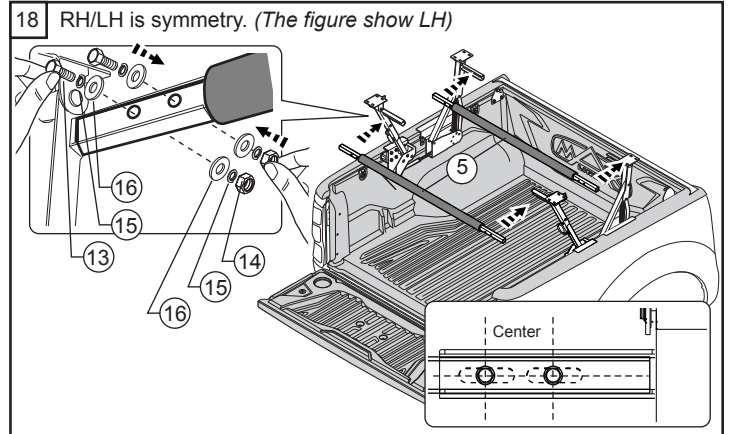
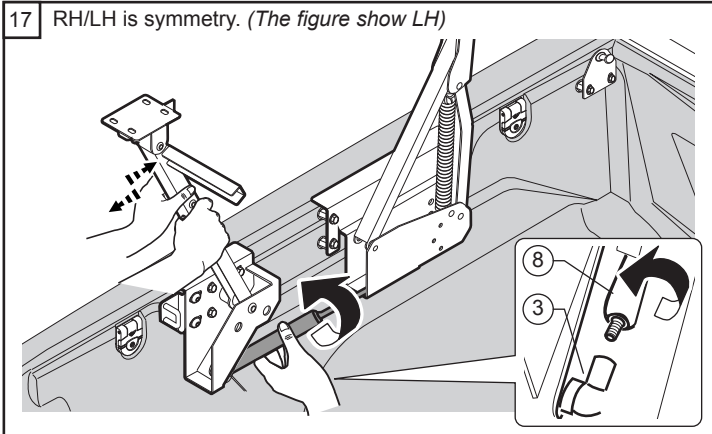
15 RH/LH is symmetry. (The figure show LH)



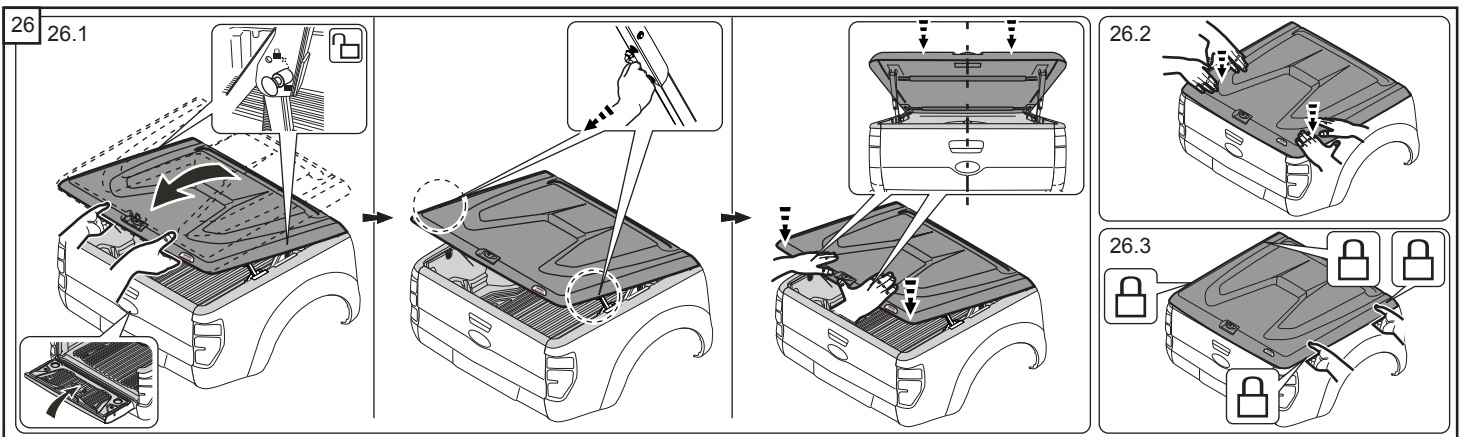
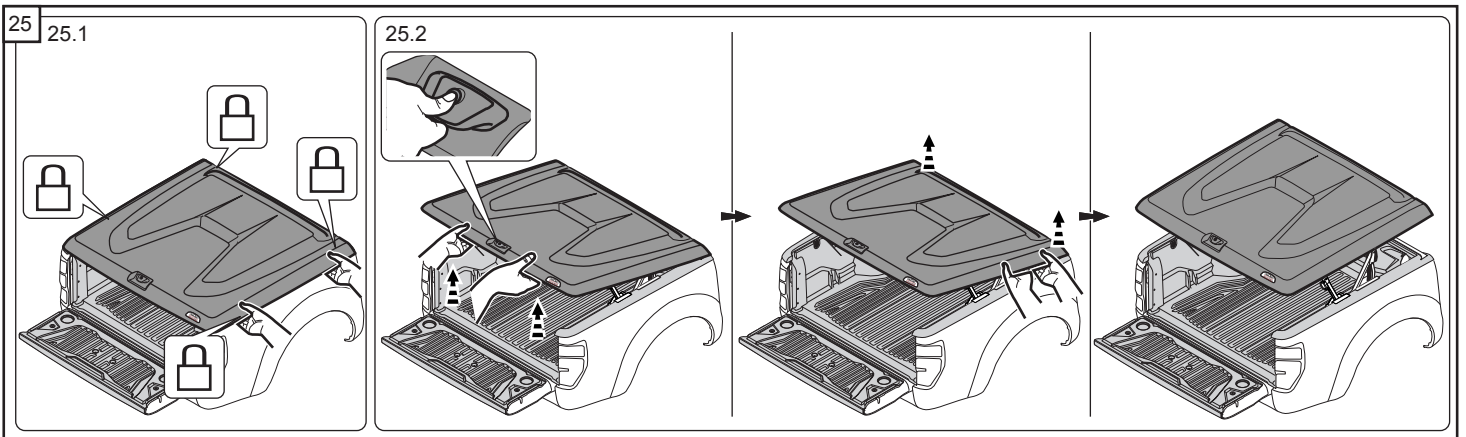
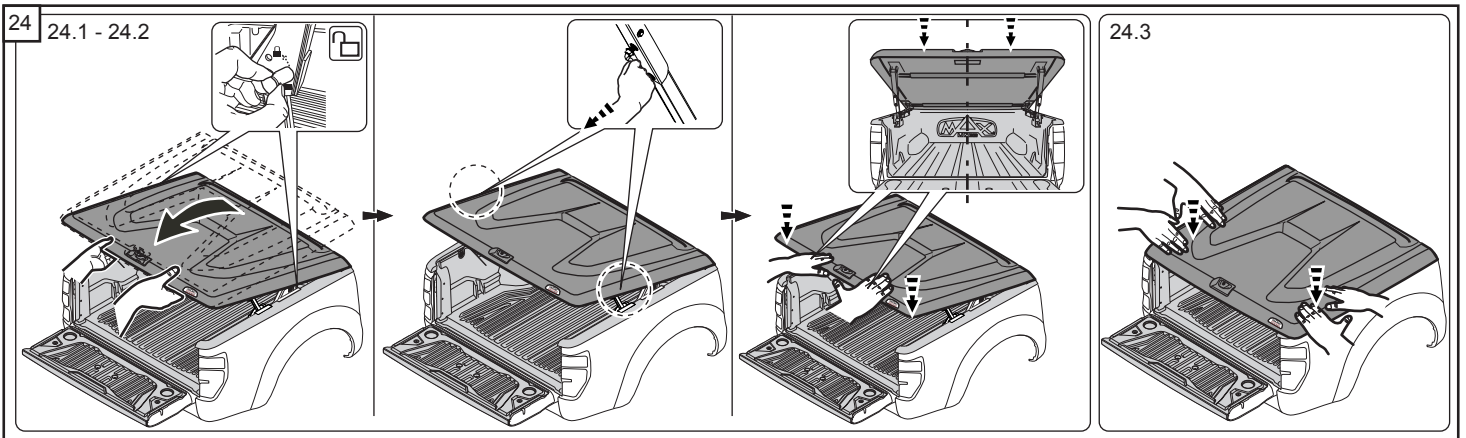
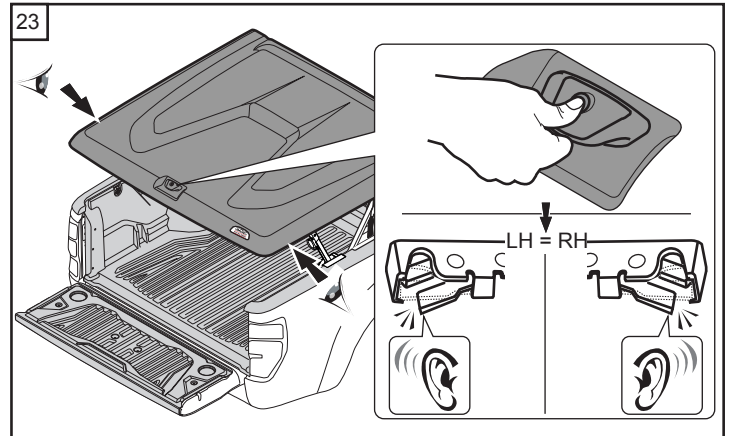
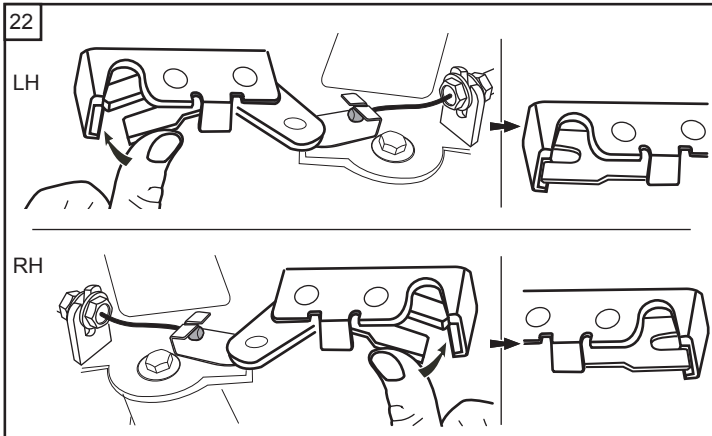
16 RH/LH is symmetry. (The figure show LH)



Instruction procedure (with Bedliner O/R)

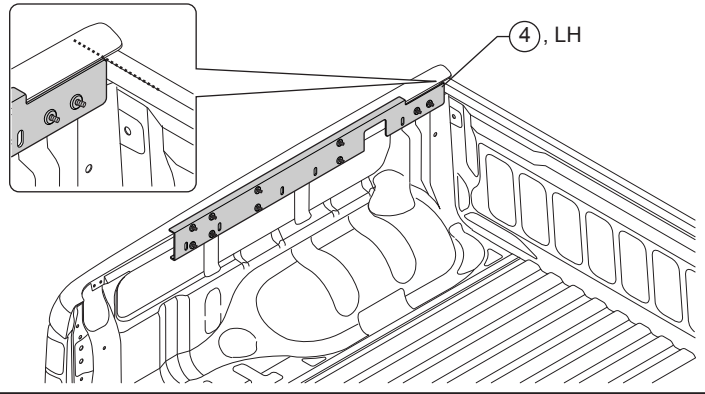


Instruction procedure (with Bedliner O/R)

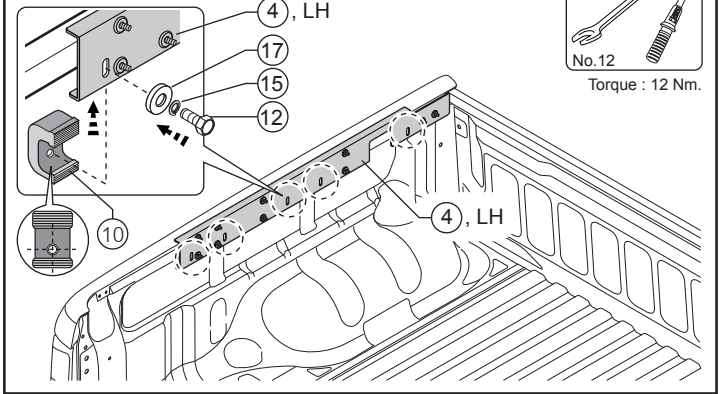


Instruction procedure (without Bedliner)

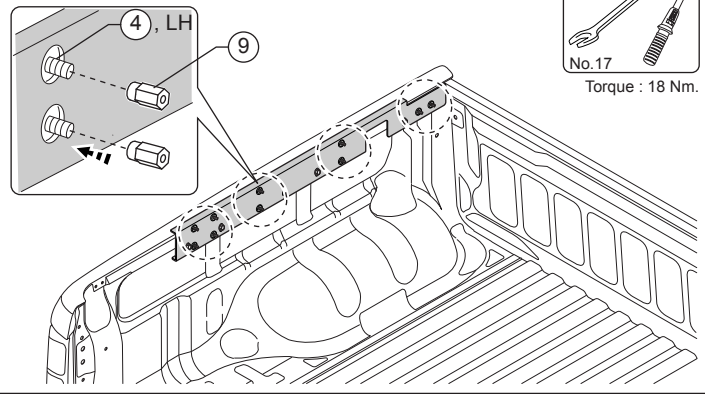
1 RH/LH is symmetry. (The figure show LH)



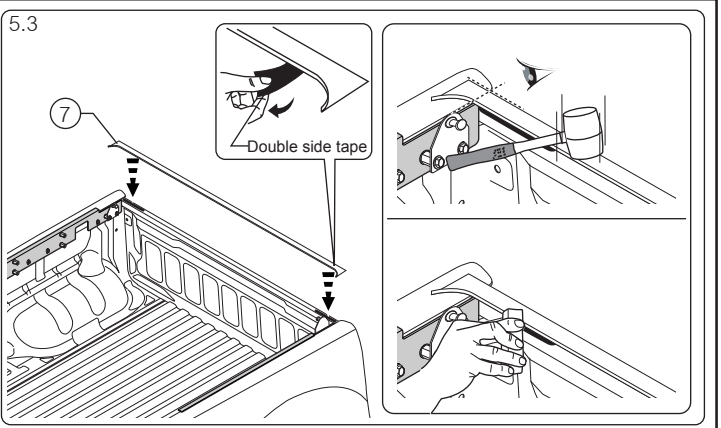
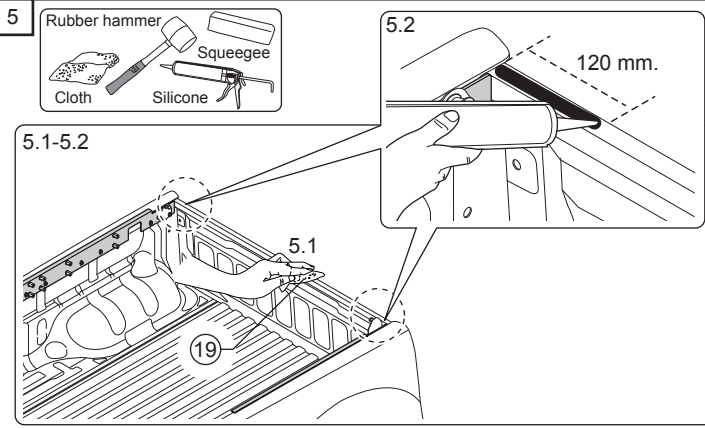
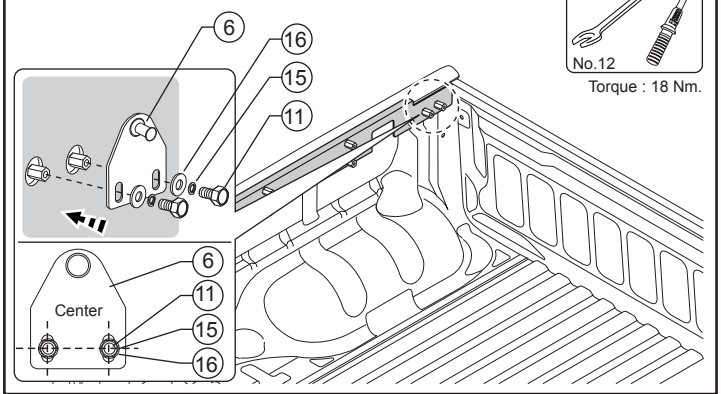
2



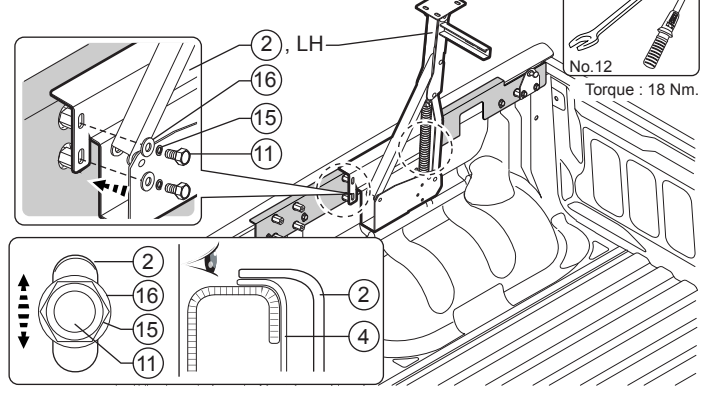
3 RH/LH is symmetry. (The figure show LH)



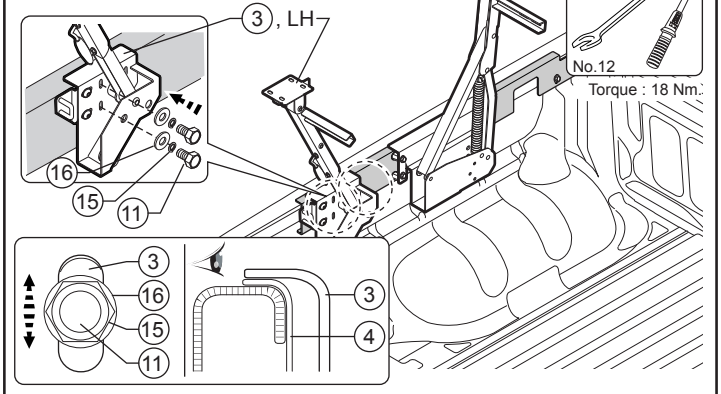
4 RH/LH is symmetry. (The figure show LH)



6 RH/LH is symmetry. (The figure show LH)

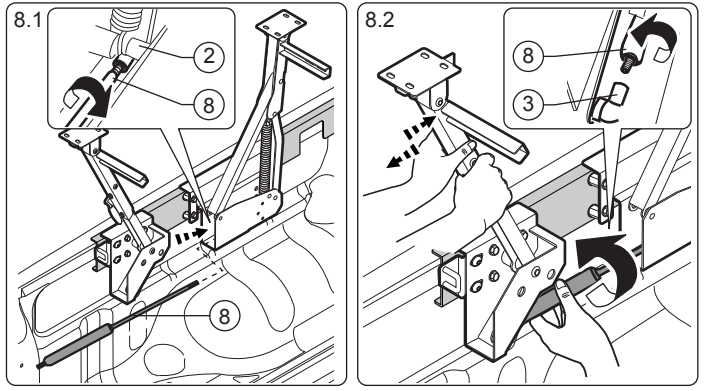


7 RH/LH is symmetry. (The figure show LH)

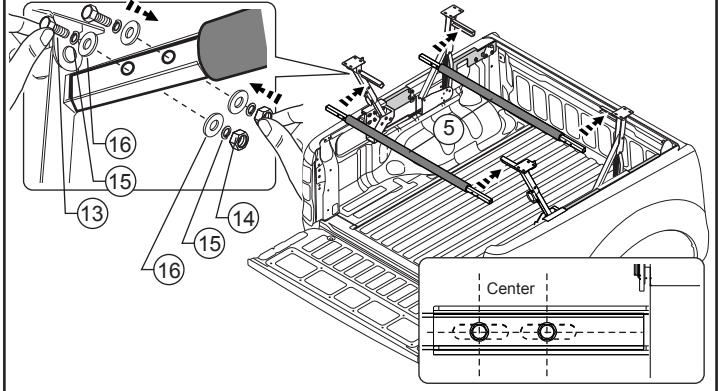


Instruction procedure (without Bedliner)

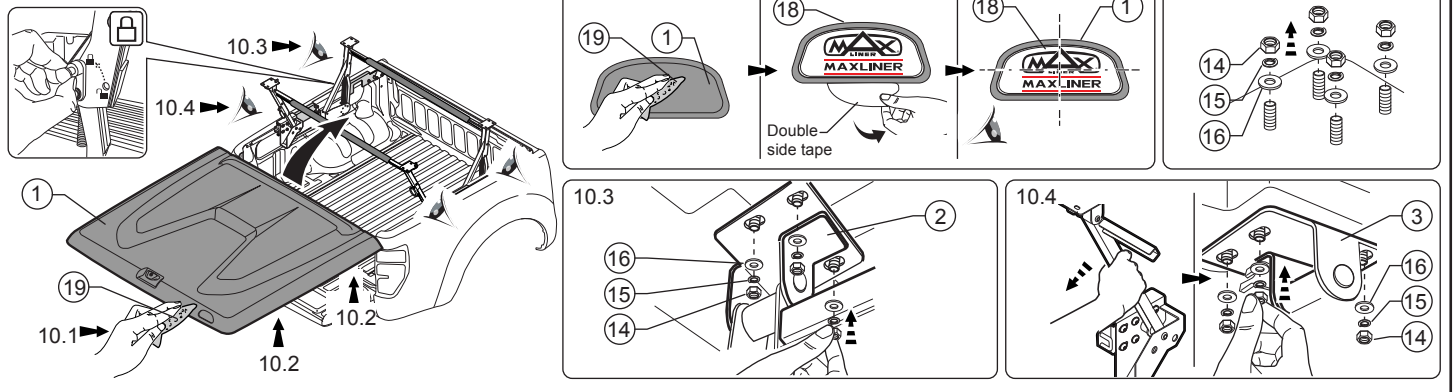
8 RH/LH is symmetry. (The figure show LH)



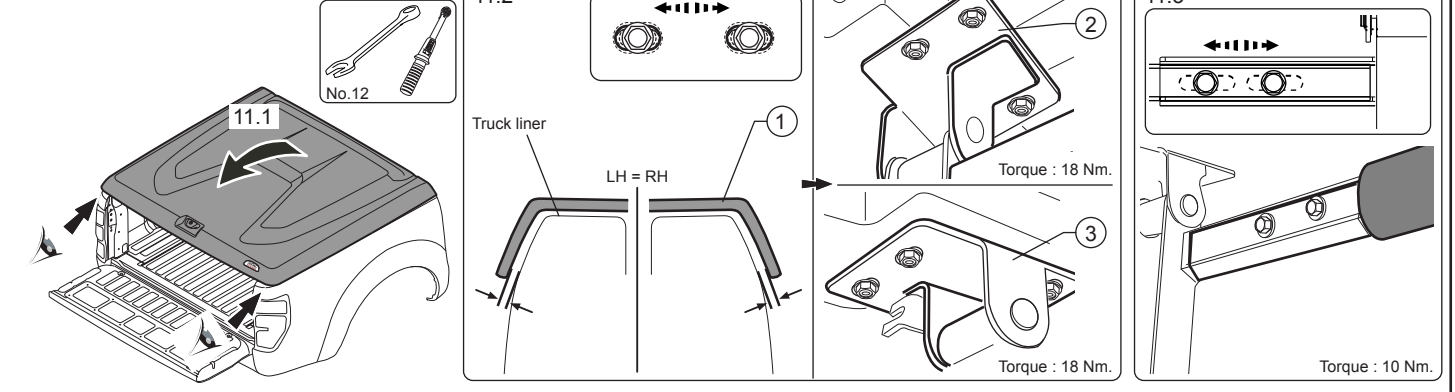
9 RH/LH is symmetry. (The figure show LH)



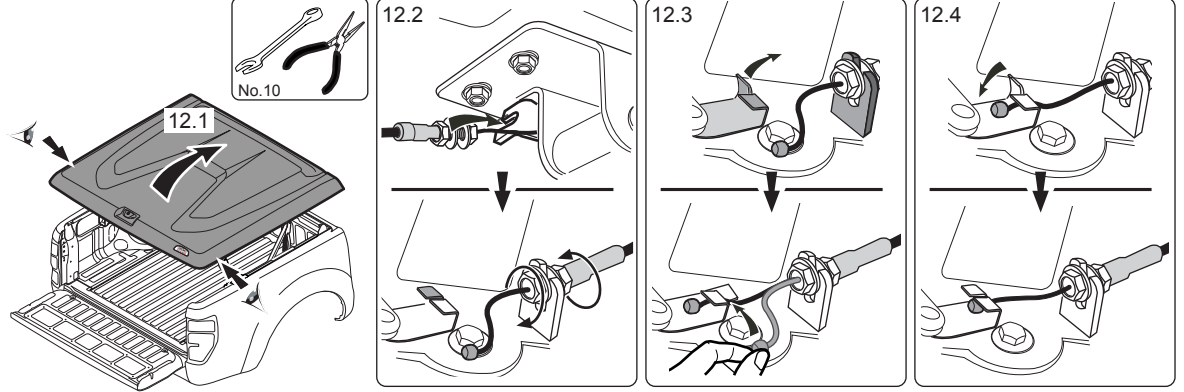
10 RH/LH is symmetry. (The figure show LH)



11 RH/LH is symmetry. (The figure show LH)



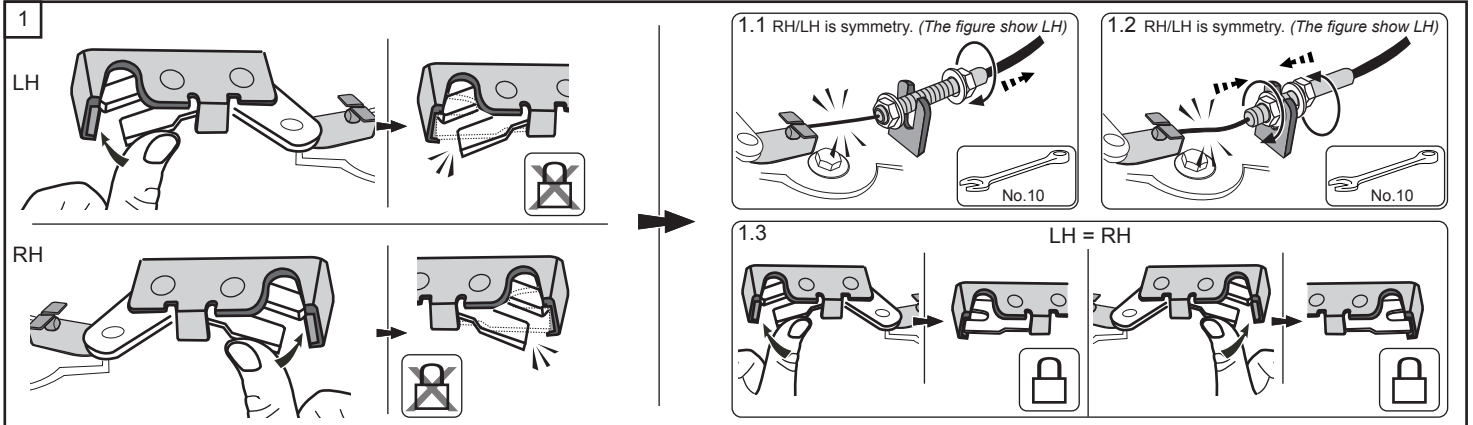
12 RH/LH is symmetry. (The figure show LH)



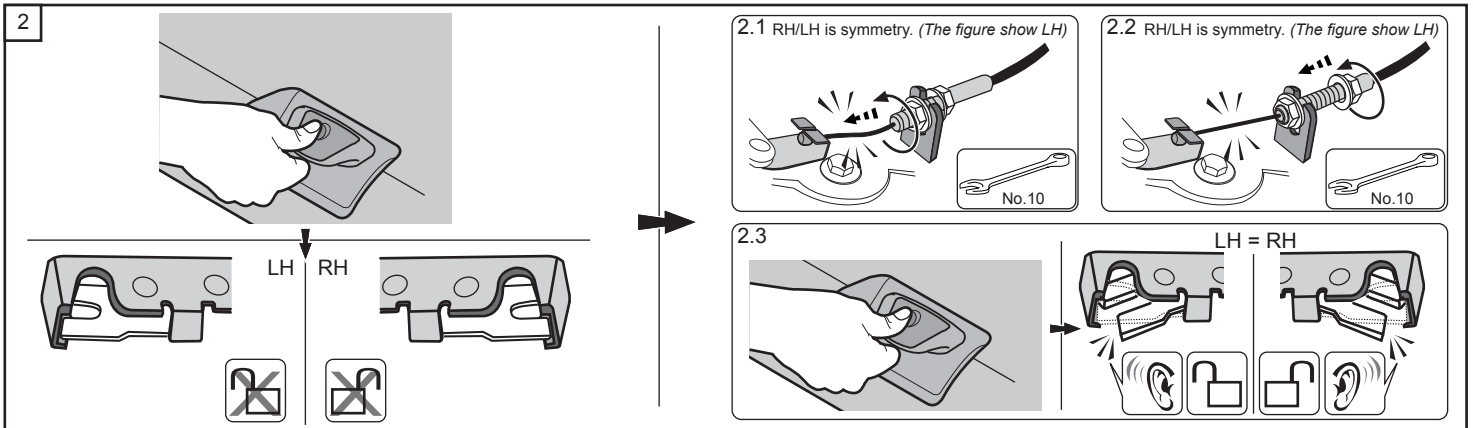
13 Adjust the lock set and check the lock like Instruction procedure with Bedliner O/R as article 22-26 (page 5.)

22.	23.
24.	
25.	
26.	p.5

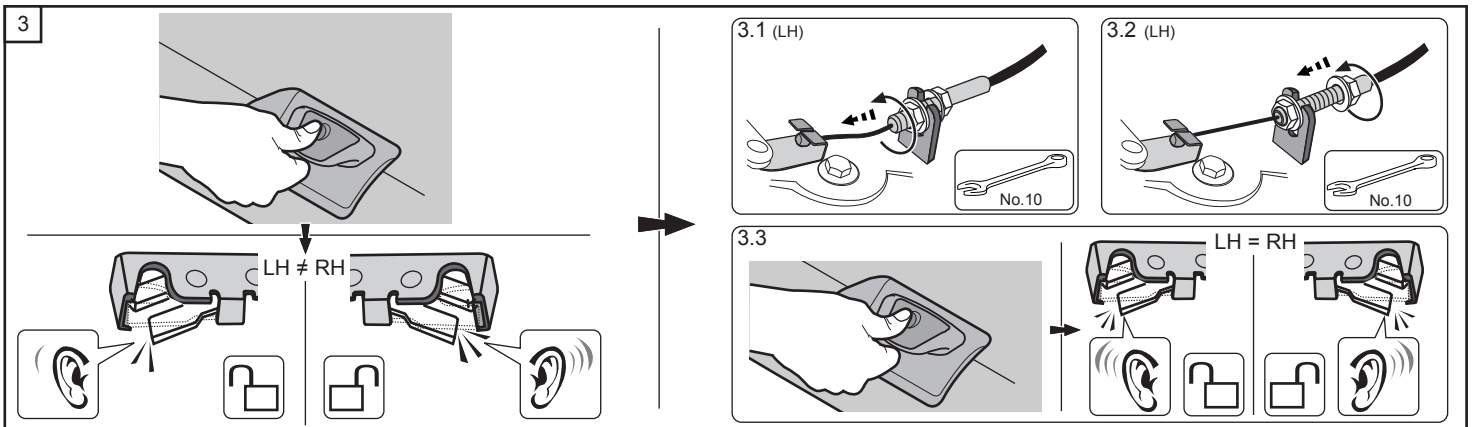
Adjust double lock (CASE 1)



Adjust double lock (CASE 2)



Adjust double lock (CASE 3)



Adjust upper plate front lock & front u-lock

