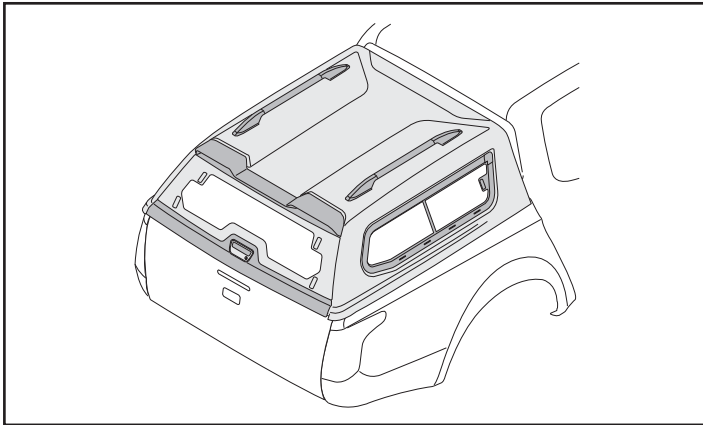


CANOPY INSTALLATION INSTRUCTIONS



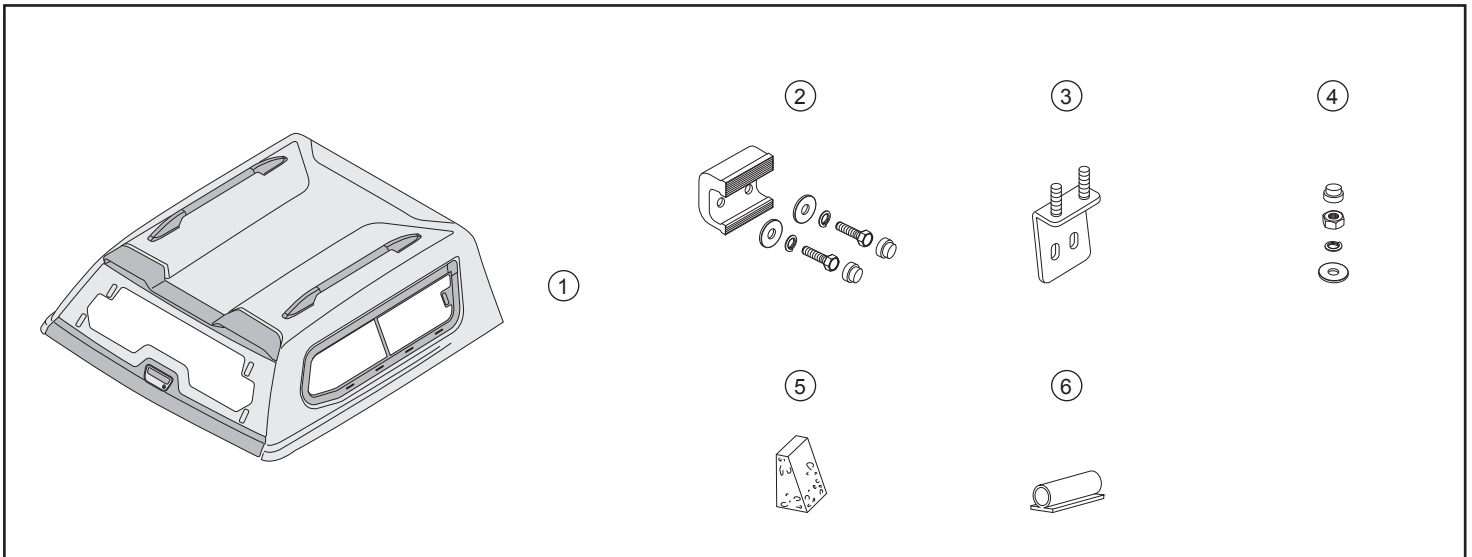
Caution for installation

Read this mounting manual carefully, before your start the installation.

1. Area where to install product should be clean.
2. During installation, person who installed should take off any ornaments.

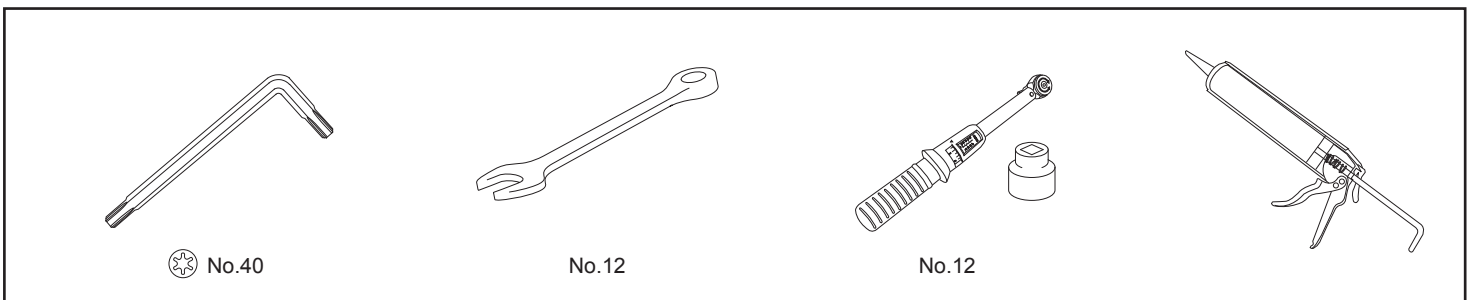
Product name : CANOPY III (BACK DOOR)
 Model name : MITSUBISHI TRITON DBC 2014
 Inst. number : L04-0273

Component parts



No.	Part name	Q'ty
1.	Canopy shell set	1 Set
2.	Clamp lock set	4 Sets
3.	Plate rail lock	4 Pcs.
4.	Fastener M8 set	8 Sets
5.	Sponge	2 Pcs.
6.	Seal rubber pick up	2 Pcs.

Tools used



CANOPY INSTALLATION INSTRUCTIONS

Instruction procedure (without bedliner)

