



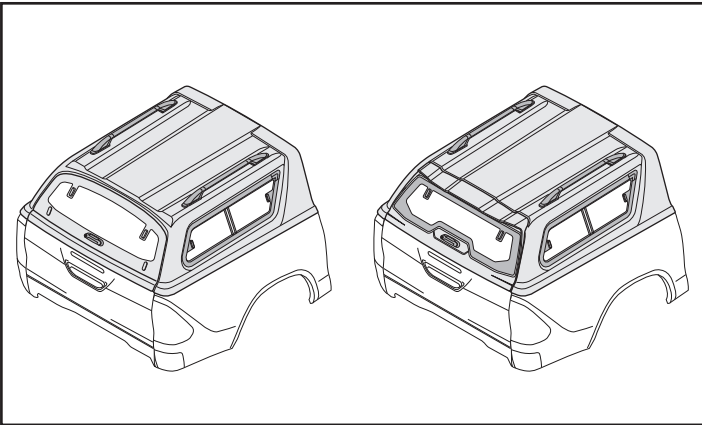
CANOPY INSTALLATION INSTRUCTIONS

Caution for installation

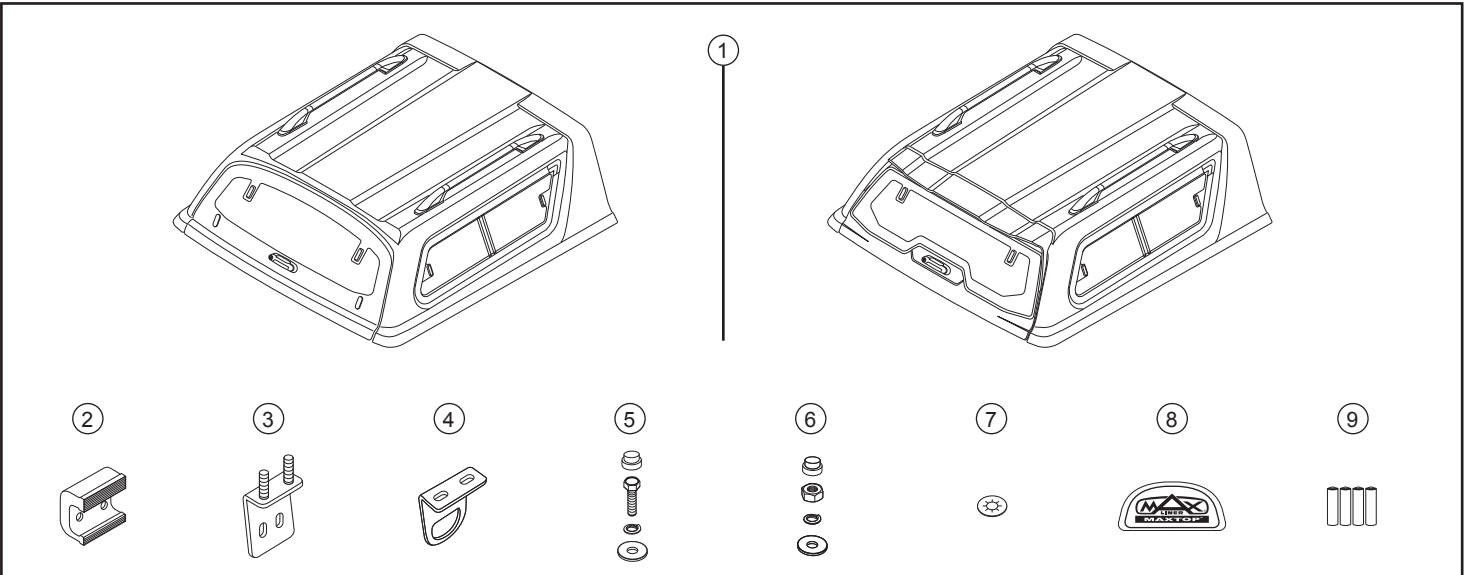
Read this mounting manual carefully, before your start the installation.

1. Area where to install product should be clean.
2. During installation, person who installed should take off any ornaments.

Product name : CANOPY III FBL
 Madel name : TOYOTA REVO DBC 2015
 Inst. number : L04-0286

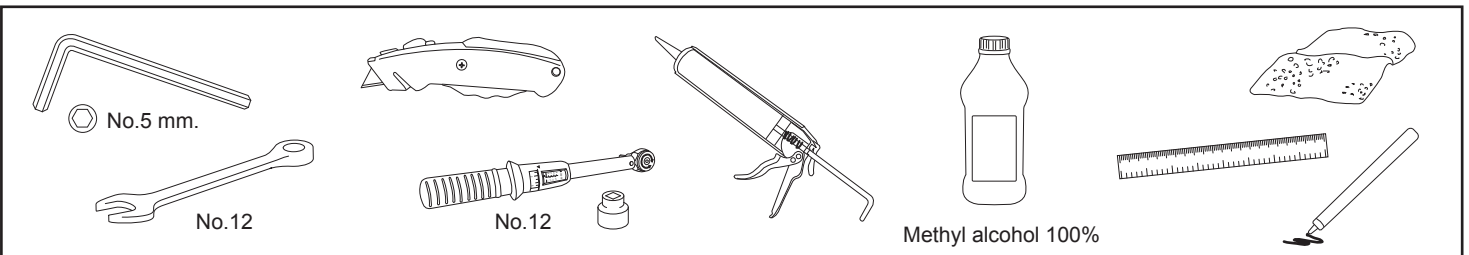


Component parts



No.	Part name	Q'ty
1	Canopy shell set	1 Set
2.	Clamp lock FB	4 Pcs.
3.	Plate rail lock FB	4 Pcs.
4.	Plate rail lock FL	4 Pcs.
5.	Bolt set M8x40	8 Pcs.
6.	Fastener M8 set	8 Sets
7.	Plastic washer	8 Pcs.
8.	Emblem	2 Pcs.
9.	Battery AAA	4 Pcs.

Tools used



Instruction procedure (without bed liner)

1

2 RH/LH is symmetry.

2.1

2.2

Torque 18 Nm.

3 RH/LH is symmetry.

Silicone

4

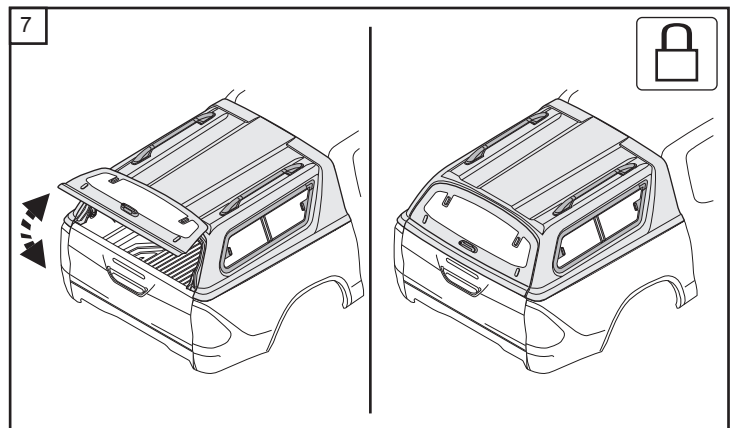
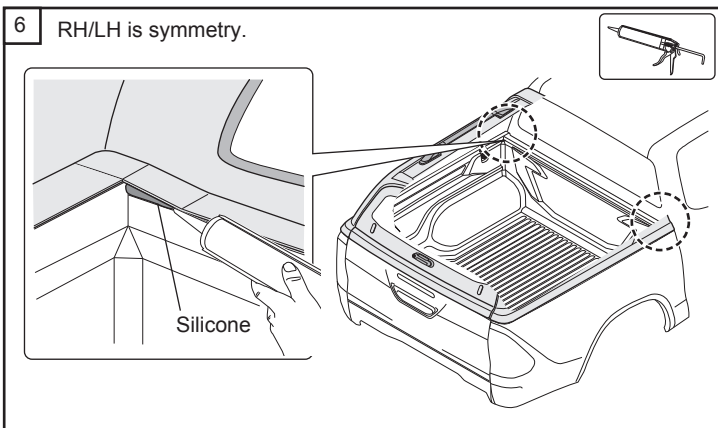
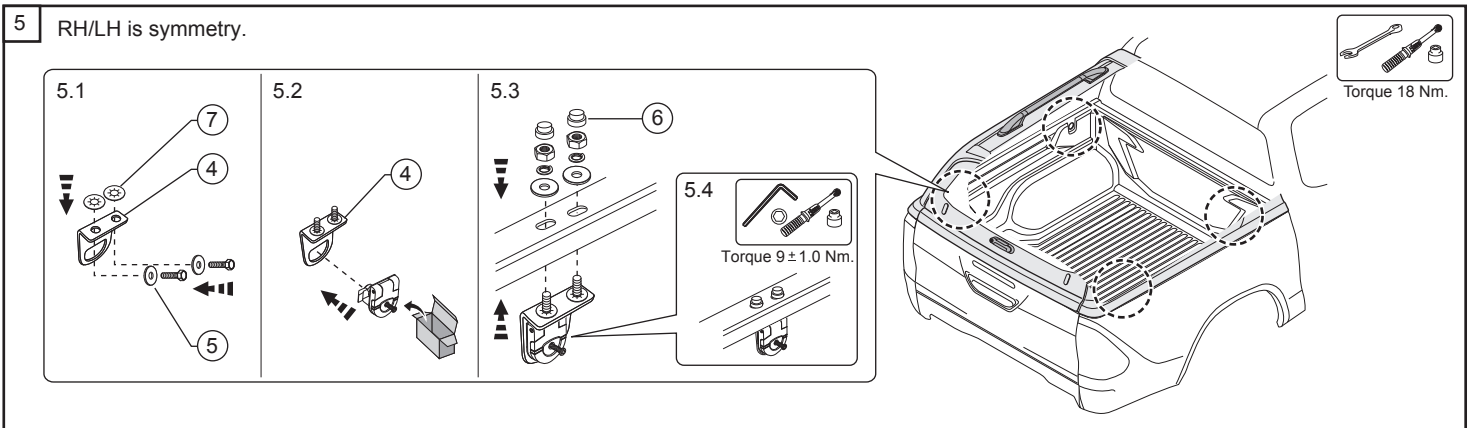
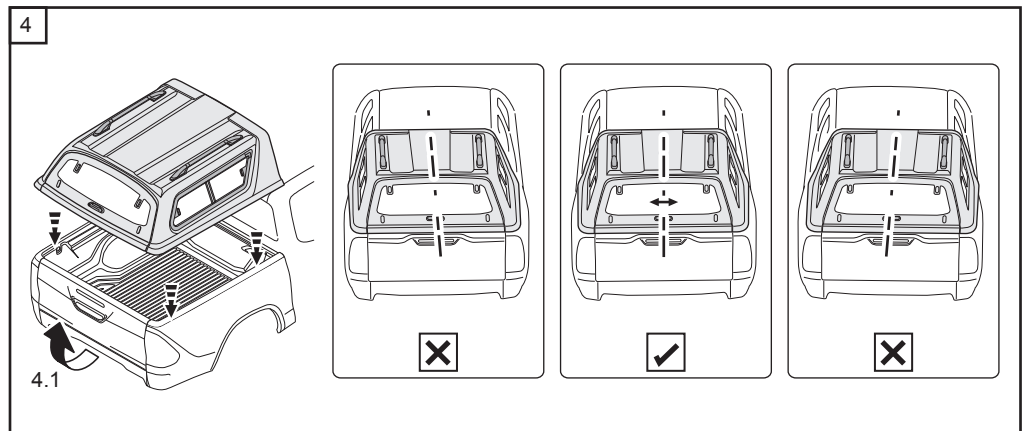
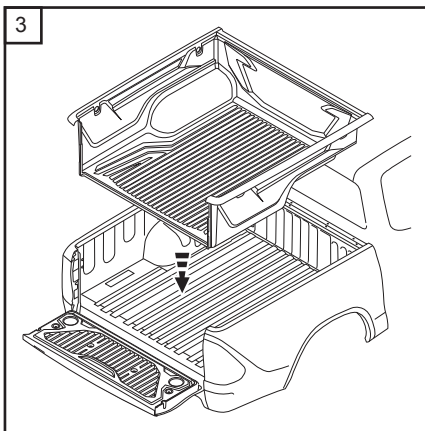
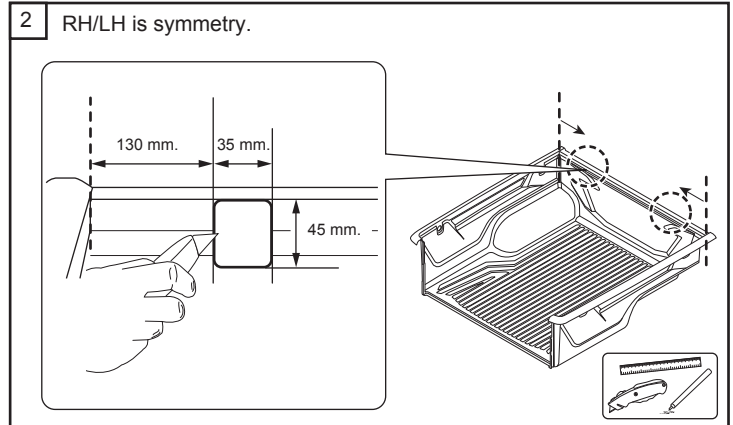
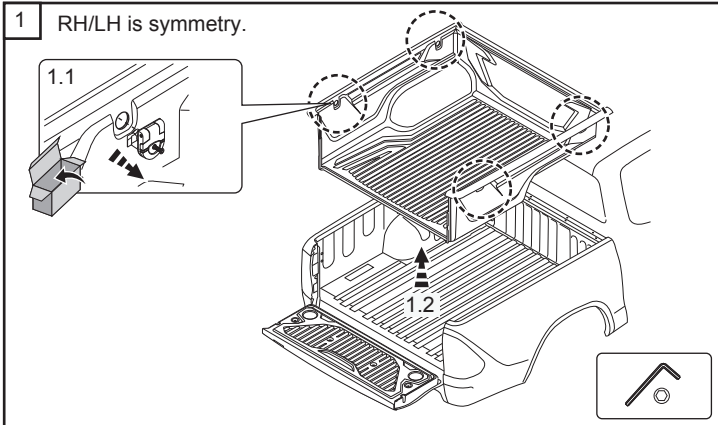
5 RH/LH is symmetry.

40 mm

100 mm

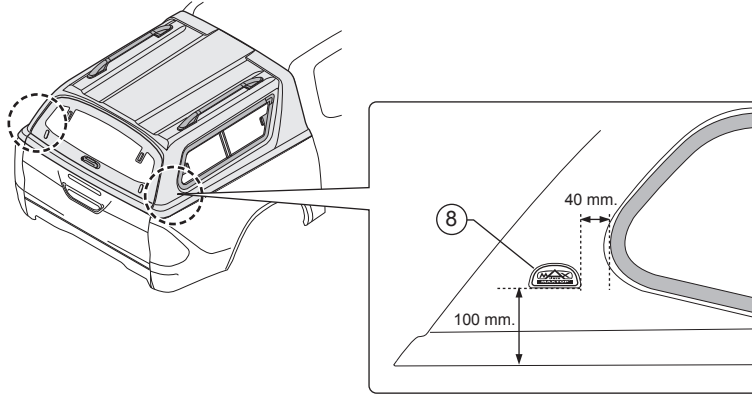
8

Instruction procedure (with bed liner)



Instruction procedure (with bed liner)

8 RH/LH is symmetry.



NOTE : ROOM LAMP

