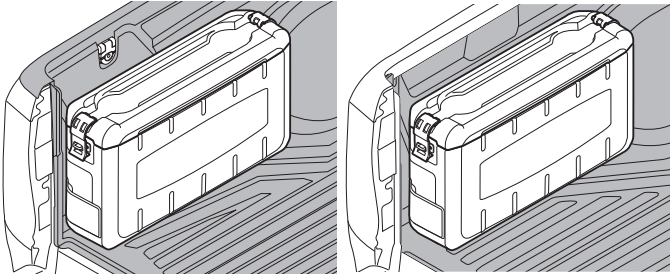


# INSTALLATION INSTRUCTIONS MANUAL

## Caution for installation

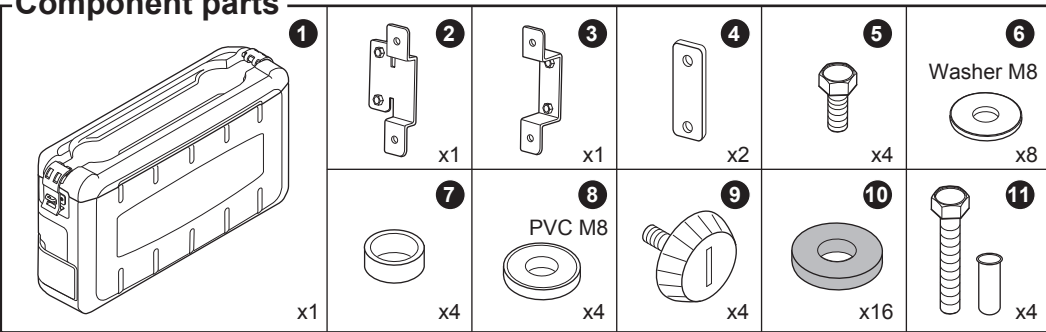
Read this mounting manual carefully, before you start the installation.

1. Area where to install product should be clean.
2. During installation, person who installed should take off any ornaments.

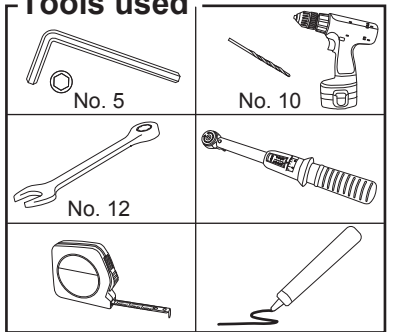


Product name	SIDE BOX 2
Model name	ALL MODEL <i>WITH BED LINER OVER RAIL TYPE (O/R)</i> <i>WITH BED LINER UNDER RAIL TYPE (U/R)</i>
Inst. number	L01-0124

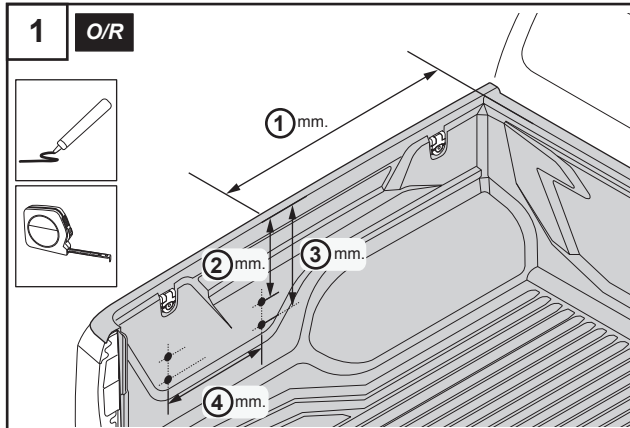
## Component parts




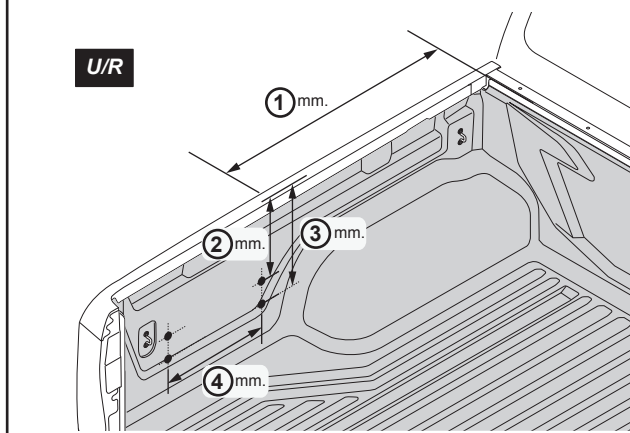
## Tools used




## Instruction procedure

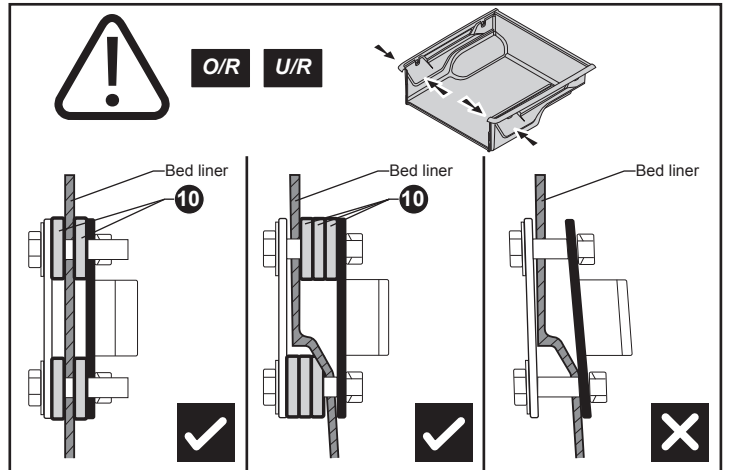
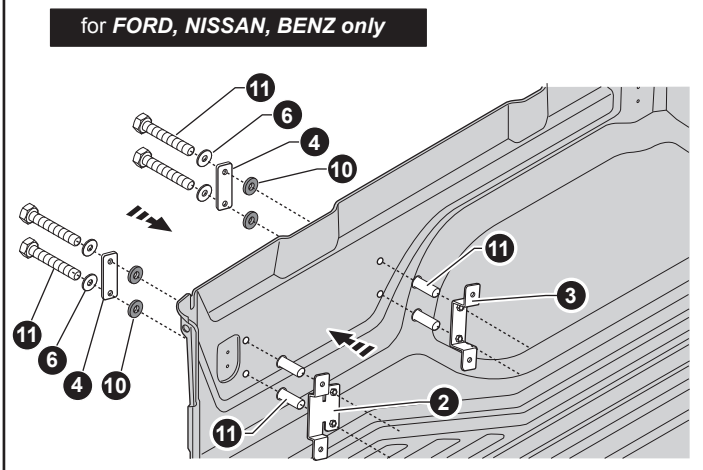
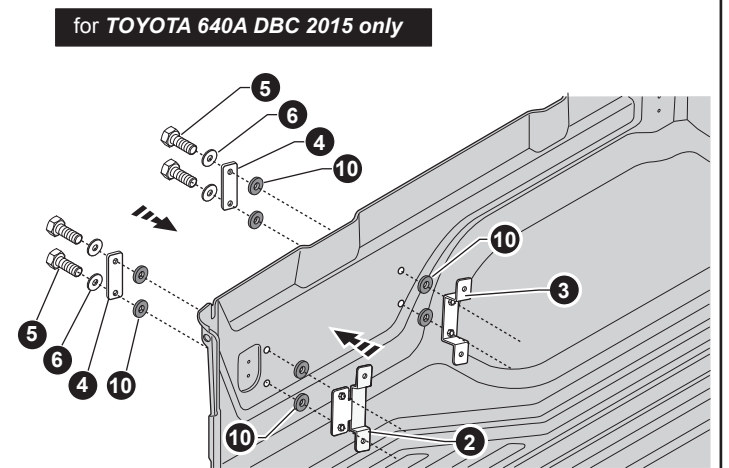
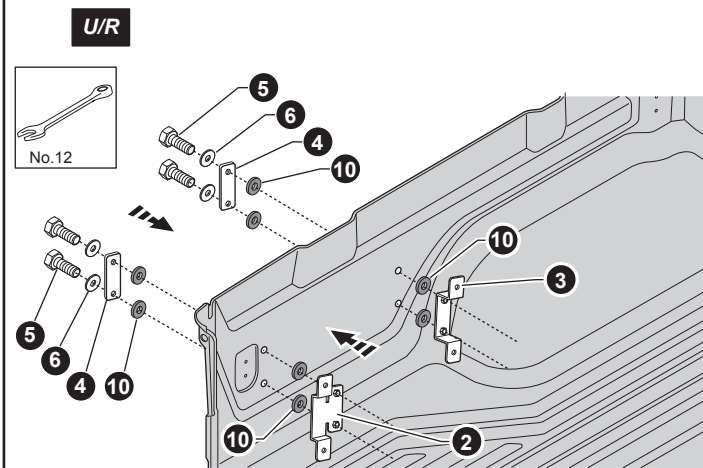
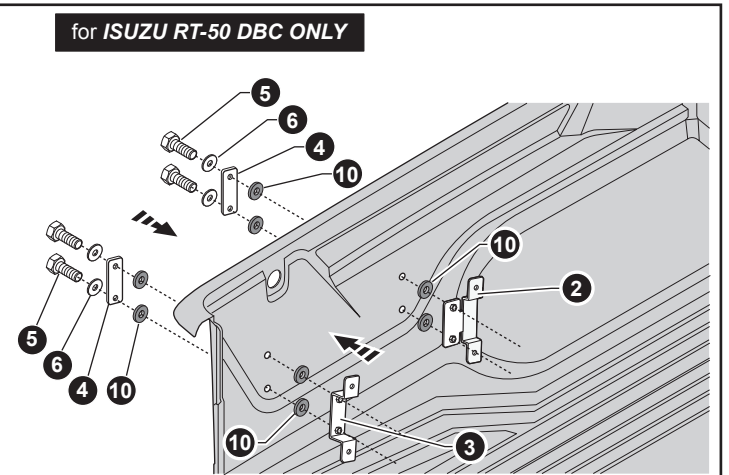
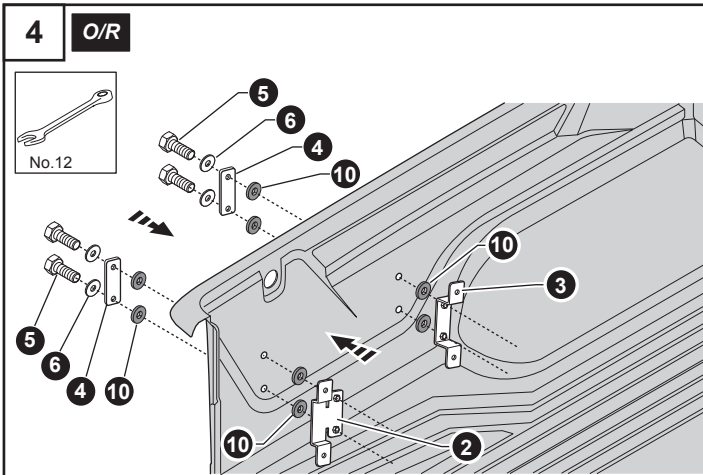
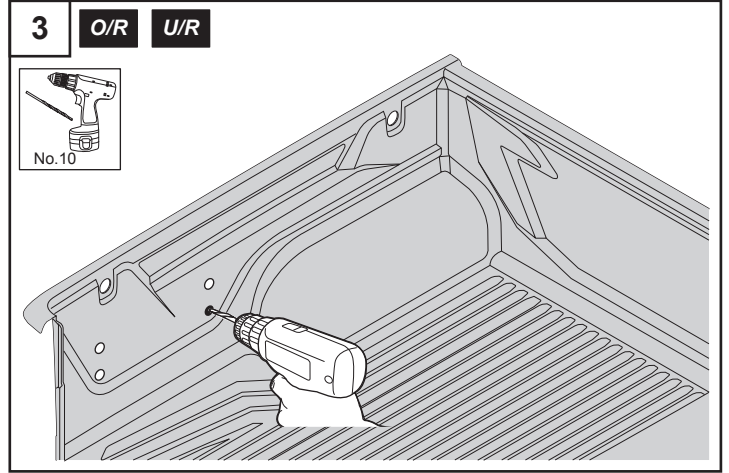
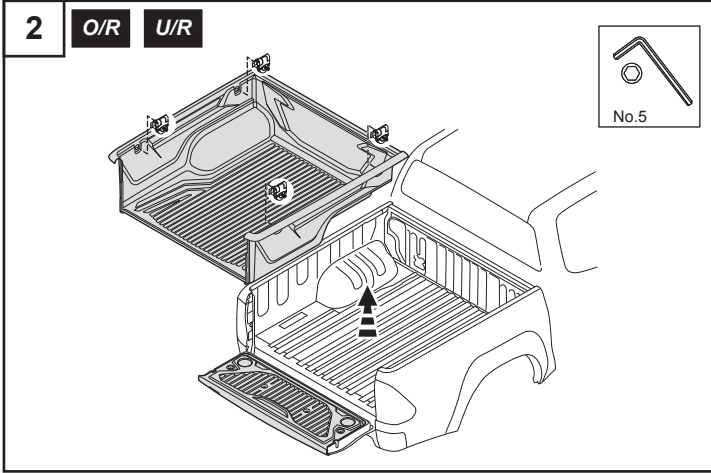


	①	②	③	④
 CHEVROLET COLORADO 2015 ~	860	245	300	450
ISUZU RT-50 DBC ~	930	257	312	450
MITSUBISHI DBC 4P00 ~	695	287	342	450
TOYOTA 640A DBC 2015 ~	910	260	315	450
TOYOTA HILUX 2012-2014	885	228	343	450
FORD 2015 ~	832	290	405	450
MAZDA 2015 ~	832	290	405	450
NISSAN 2015 ~	880	252	367	450
VOLKSWAGEN AMAROK 2010 ~	894	273	388	450



	①	②	③	④
 CHEVROLET COLORADO 2015 ~	860	245	300	450
ISUZU RT-50 DBC ~	930	257	312	450
MITSUBISHI DBC 4P00 ~	695	287	342	450
TOYOTA 640A DBC 2015 ~	910	260	315	450
TOYOTA HILUX 2012-2014	885	228	343	450
MAZDA 2015 ~	832	290	405	450
FORD 2015 ~	832	290	405	450
NISSAN 2015 ~	880	292	367	450
BENZ	900	225	340	450

**Instruction procedure**



# Instruction procedure

## Amount of CUSHION RUBBER for fitting kits **O/R**

	OEM BEDLINER				MAXLINER (AFTER MARKET)			
	FRONT		REAR		FRONT		REAR	
	TOP	BOTTOM	TOP	BOTTOM	TOP	BOTTOM	TOP	BOTTOM
CHEVROLET COLORADO 2015	3	3	3	3	3	3	3	3
ISUZU RT-50 DBC	0	0	0	0	0	0	0	0
MITSUBISHI DBC 4P00	3	3	3	3	0	0	0	0
TOYOTA 640A DBC 2015	4	4	4	4	4	4	4	4
TOYOTA HILUX 2012-2014	0	0	0	0	0	0	0	0
FORD 2015	-	-	-	-	4	4	4	4
MAZDA 2015	-	-	-	-	4	4	4	4
NISSAN 2015	4	4	4	4	4	4	4	4
VOLKSWAGEN AMAROK 2010	4	4	4	4	4	4	4	4

## Amount of CUSHION RUBBER for fitting kits **U/R**

	OEM BEDLINER				MAXLINER (AFTER MARKET)			
	FRONT		REAR		FRONT		REAR	
	TOP	BOTTOM	TOP	BOTTOM	TOP	BOTTOM	TOP	BOTTOM
CHEVROLET COLORADO 2015	3	3	0	0	3	3	0	0
ISUZU RT-50 DBC	3	3	0	0	3	3	0	0
MITSUBISHI DBC 4P00	0	0	3	0	0	0	3	0
TOYOTA 640A DBC 2015	0	0	0	0	0	0	0	0
TOYOTA HILUX 2012-2014	4	4	4	4	0	0	0	0
MAZDA 2015	0	0	0	0	0	0	0	0
FORD 2015	0	0	0	0	0	0	0	0
NISSAN 2015	0	0	0	0	0	0	0	0
BENZ	0	0	0	0	0	0	0	0

